

---

## EB35H2M 2.4GHz Wireless Module

---

### Product Description

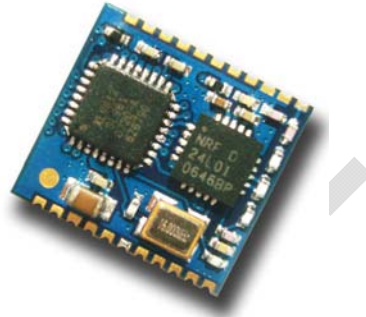
EB35H2M is a general purpose 2.4G Wireless control module with nRF24L01 and Microcontroller.

### Applications

- Remote control
- Data communication
- Wireless Keyboard

### Features

- 2.4GHz ISM band
- Very low power consumption
- Support data rate 250K bps, 1M bps, 2M bps
- Range up to 100+ out door
- Flexible design, custom functions supported



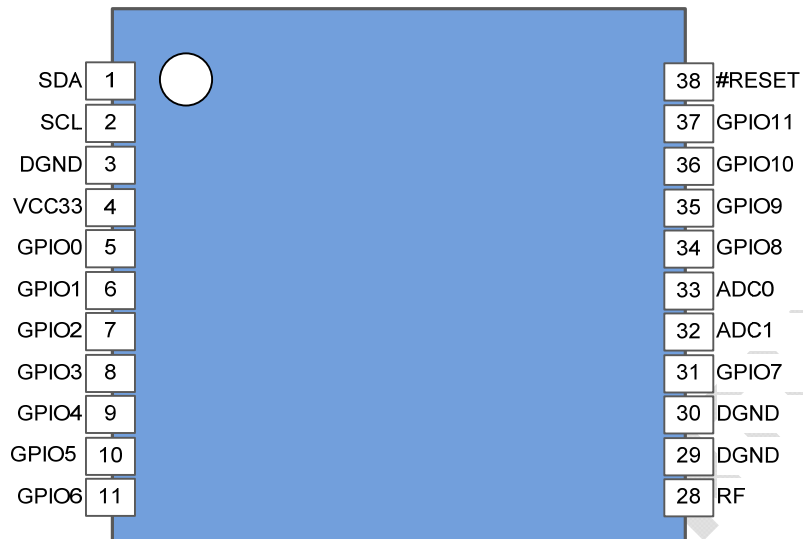
GIGAWIT CONFIDENTIAL

**Electrical Specification**

	Description	Min/Typical/Max
<b>General</b>	Supply voltage	DC 3.0V/3.3V/3.7V
	Operation current	15mA
	Suspend current	5uA
	Operation temperature	-10 ~ +60°C
<b>RF</b>	RF Frequency	2400 ~ 2483MHZ
	Modulation	GFSK
	Data rate	250Kbps, 1Mbps, 2M bps
	TX Power	-4 ~ 0 dBm
	RX Sensitivity	-85 ~ 90dBm
	RF Channels	125
<b>Micro Controller</b>	GPIOs	12
	IO driving current	10mA
	Max Speed	16MHz

Table [1]: Electrical Specification

## Pin Assignments



Pin #	Pin name	Type	Description
1	SDA	I/O	I2C Data
2	SCL	I/O	I2C Clock
3	DGND	P	Ground Power
4	VCC33	P	3.3V Power
5	GPIO0	I/O	General purpose I/O
6	GPIO1	I/O	General purpose I/O
7	GPIO2	I/O	General purpose I/O
8	GPIO3	I/O	General purpose I/O
9	GPIO4	I/O	General purpose I/O
10	GPIO5	I/O	General purpose I/O
11	GPIO6	I/O	General purpose I/O
12	RF	O	RF output
13	DGND	P	Ground Power
14	DGND	P	Ground Power
15	GPIO7	I/O	General purpose I/O
16	ADC1	I/O	General purpose I/O
17	ADC0	I/O	General purpose I/O
18	GPIO8	I/O	General purpose I/O
19	GPIO9	I/O	General purpose I/O

20	GPIO10	I/O	General purpose I/O
21	GPIO11	I/O	General purpose I/O
22	#RESET	I	MCU RESET, can be left open

GIGAWIT CONFIDENTIAL

**Physical Dimension**

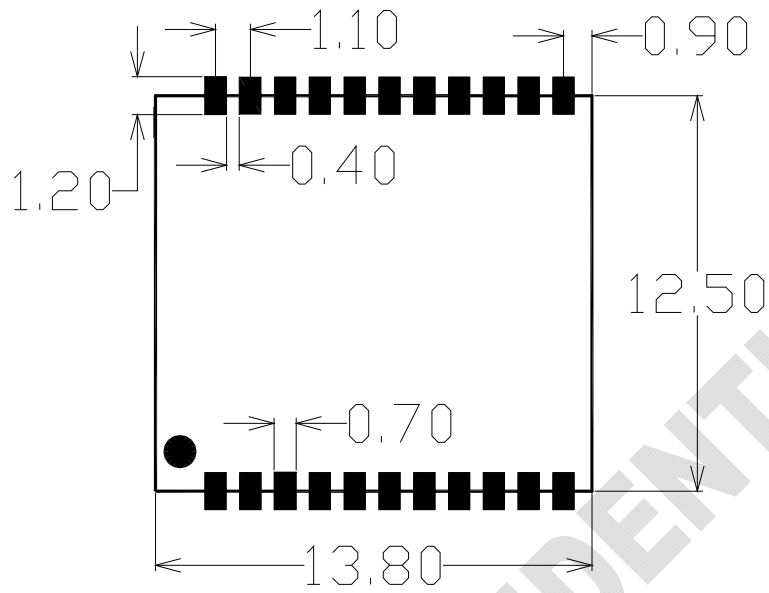
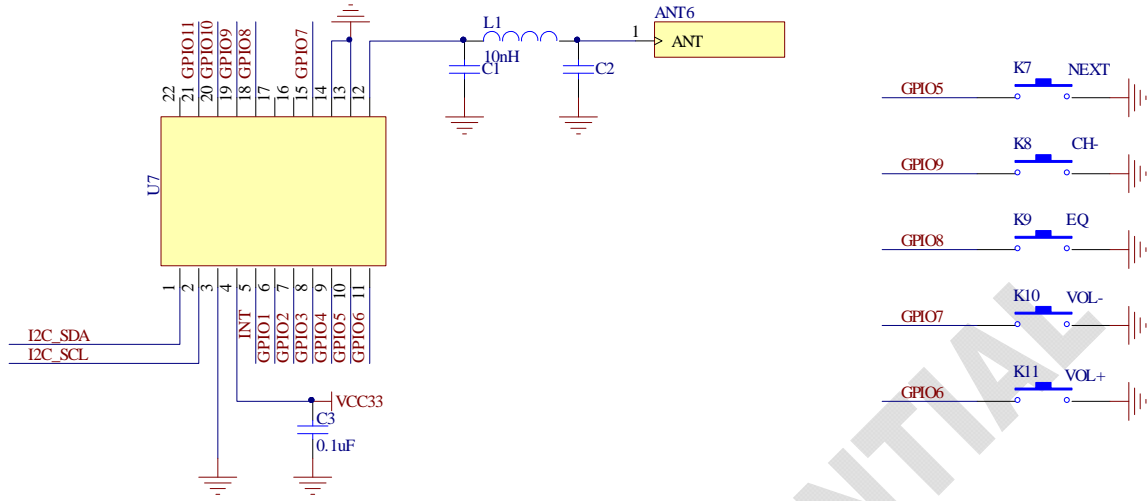


Figure 2. EB35G2MQ Module outline

### Application Circuit



**Ordering Information**

Gigawit ID.	Description
EB35H2M	10dBm module

GIGAWIT CONFIDENTIAL

**Notes:**

GIGAWIT CONFIDENTIAL